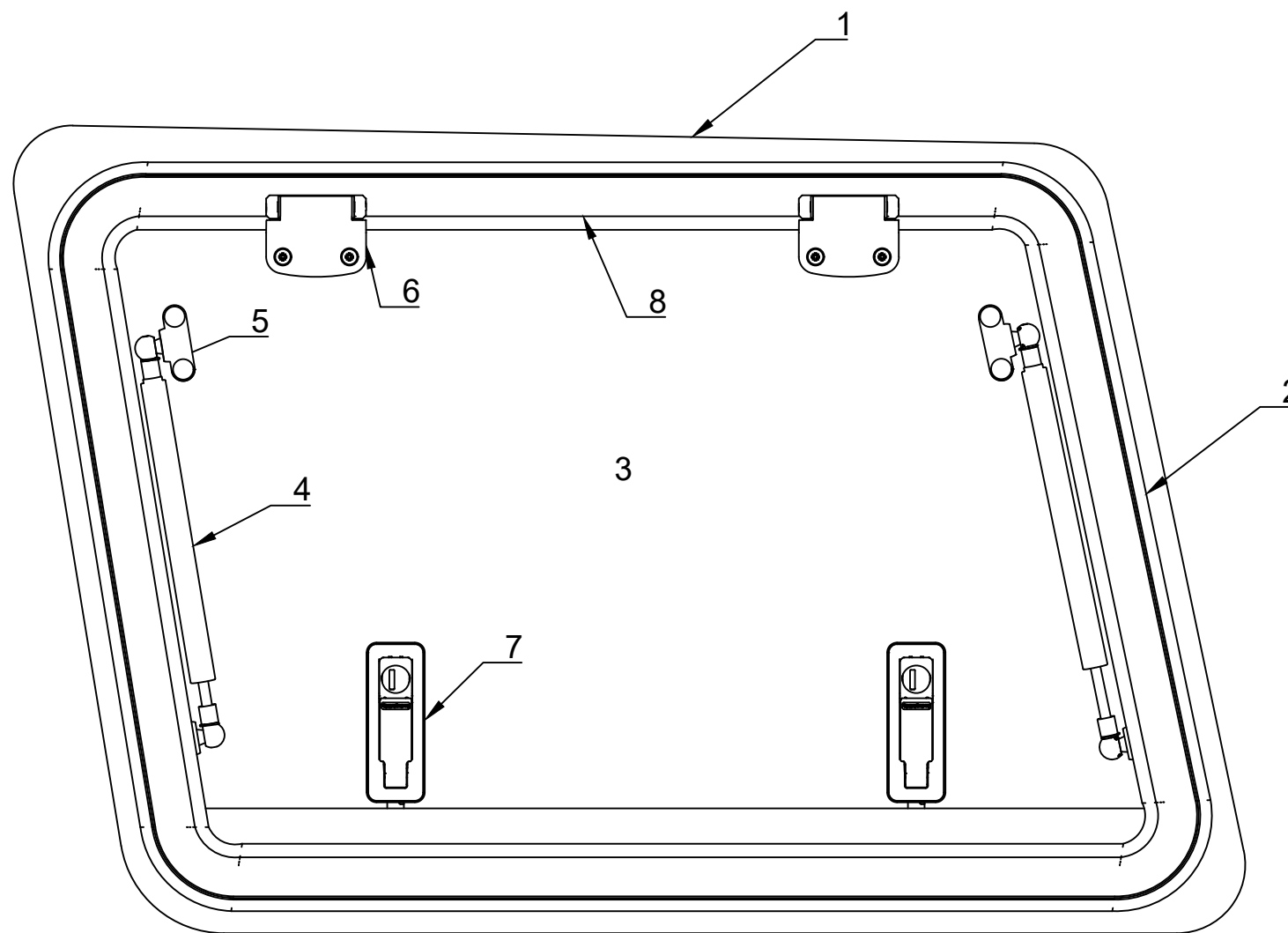




Parts list

Item	Qty	Description
1	1	Base panel aluminium
2	1	Window frame aluminium
3	1	Window panel (glass or aluminium)
4	2	Gas springs
	4	Ball joints
5	4	Brackets
	4	Screw M4 x 16 ss (glass version)
	4	Screw M4 x 12 ss (aluminium version)
	4	Screw M4 x 8 ss
	4	Cap nut M4 ss
	4	Cover cap with ring (PP)
6	2	Hinge
	4	Screw M5 x 10 ss frame
	4	Screw M5 x 16 ss window panel
	4	Cap nut M5 ss (aluminium version)
	4	Nut M5 ss (glass version)
	4	Cover cap with cover ring (PP) (glass version)
7	2	Locking latches
8	1	Rubber seal



Dept.	Technical reference	Created by <b>Explore/AS</b>	5-5-2019	Approved by	
		Document type <b>A3</b>	Document status		
		Title <b>Land Rover Discovery 1 Expedition window</b>	DWG No.		
		Parts list	Rev.	Date of issue	Sheet <b>1/1</b>