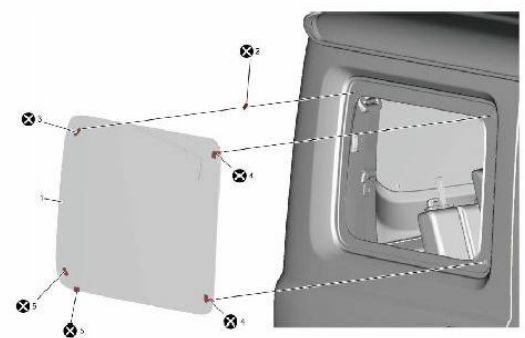


1 2 3 4 5 6 7 8

A



- (1) Quarter window glass
- (2) Glass fastener no. 1 (body)
- (3) Glass fastener no. 2 (window glass)
- (4) Centering screws
- (5) Spacer

⊕ Do not re-use

B

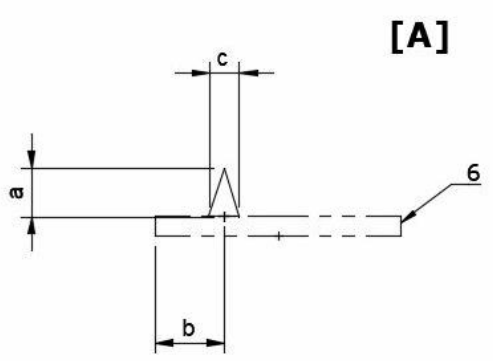
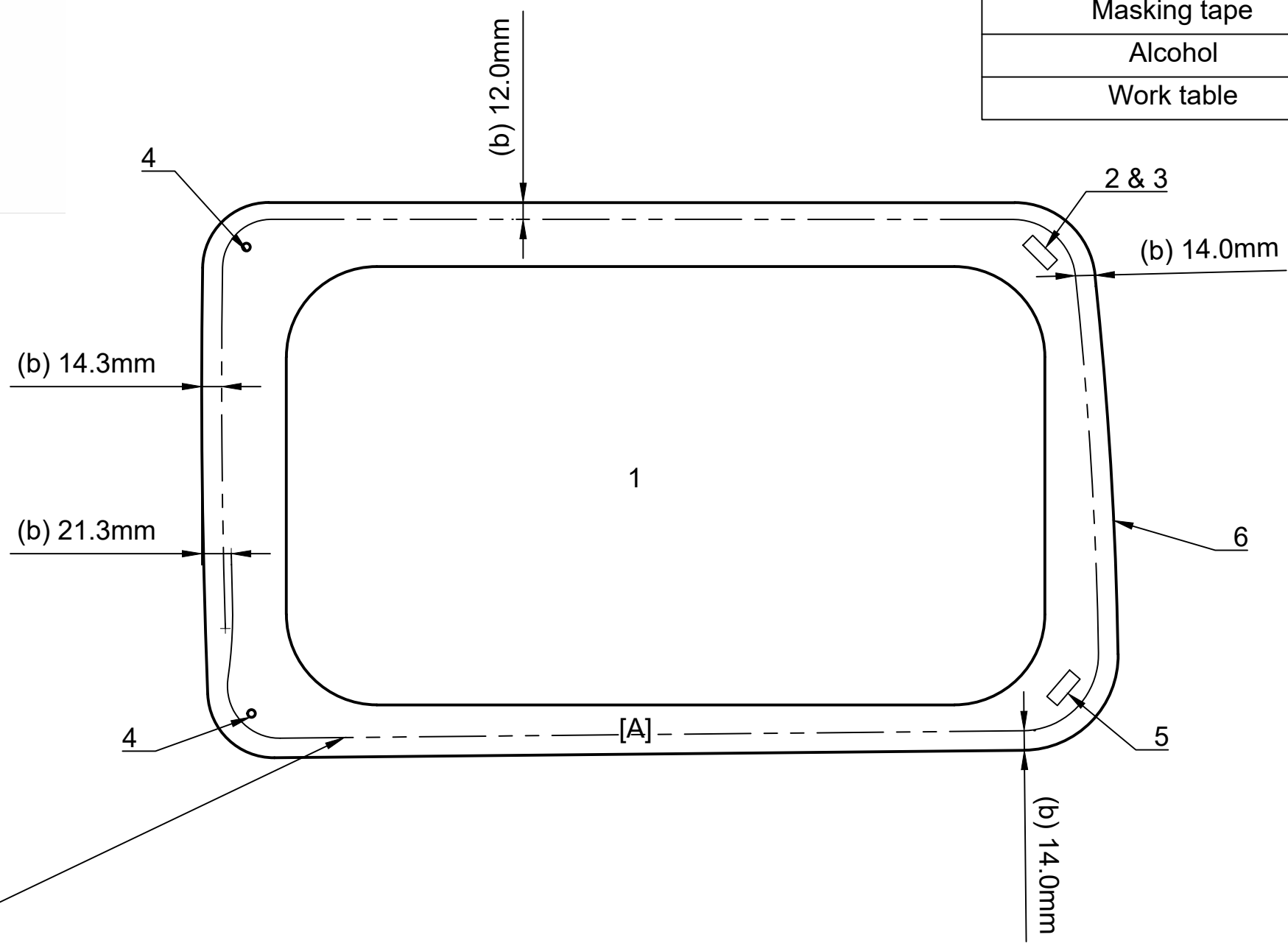
C

D

E

F

Required materials	
Eyeleteer	To drill hole in adhesive
Piano string & glass knife	To cut adhesive
Rubber sucker grip	To hold adhesive
Caulking gun	To apply adhesive
Adhesive	To bond window
Masking tape	To protect against scratches
Alcohol	To degrease
Work table	To support the window



- (a) Adhesive height = ± 10 mm
- (b) Application position
- (c) Adhesive width = ± 6 mm

1 2 3 4 5 6 7 8

